

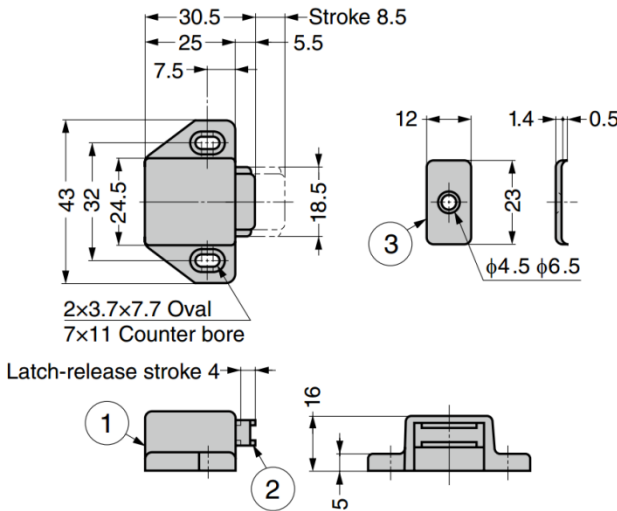
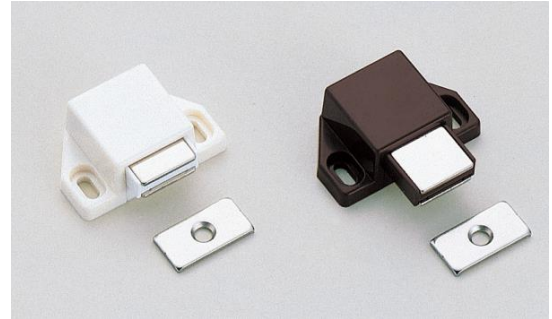
GML-30S Magnetic Touch Latch

Features

- Push to open/close
- When closing, magnet will catch the door with a light push

Parts Included

- Counter plate
- Round head wood screw 3.1×13 (2 pcs)
- Countersunk head wood screw 3.1×13 (1 pc)



No.	Part Name	Material	Finish / Colour
①	Body	ABS	Brown, White
②	Yoke	Steel (SPCC)	Nickel
③	Counter Plate		

Part No.	Colour	Magnetic Force	
GML-30SW	White	11.8 N	1.2 kg
GML-30SBR	Brown		

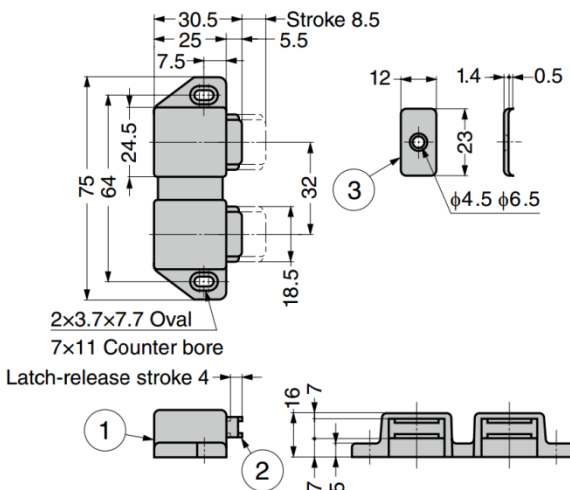
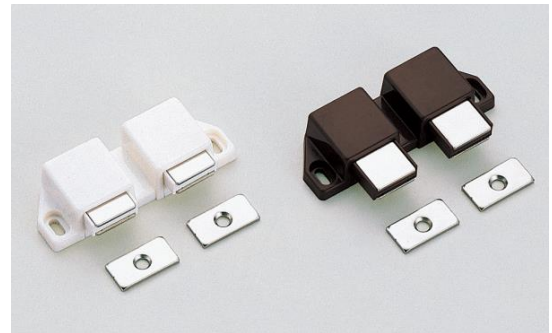
GML-30W Magnetic Touch Latch

Features

- Push to open/close
- When closing, magnet will catch the door with a light push
- Passed 50,000 life cycle test

Parts Included

- Counter plate
- Round head wood screw 3.1×13 (2 pcs)
- Countersunk head wood screw 3.1×13 (1 pc)



No.	Part Name	Material	Finish / Colour
①	Body	ABS	Brown, White
②	Yoke	Steel (SPCC)	Nickel
③	Counter Plate		

Part No.	Colour	Magnetic Force	
GML-30WW	White	11.8 N	1.2 kg
GML-30WBR	Brown		